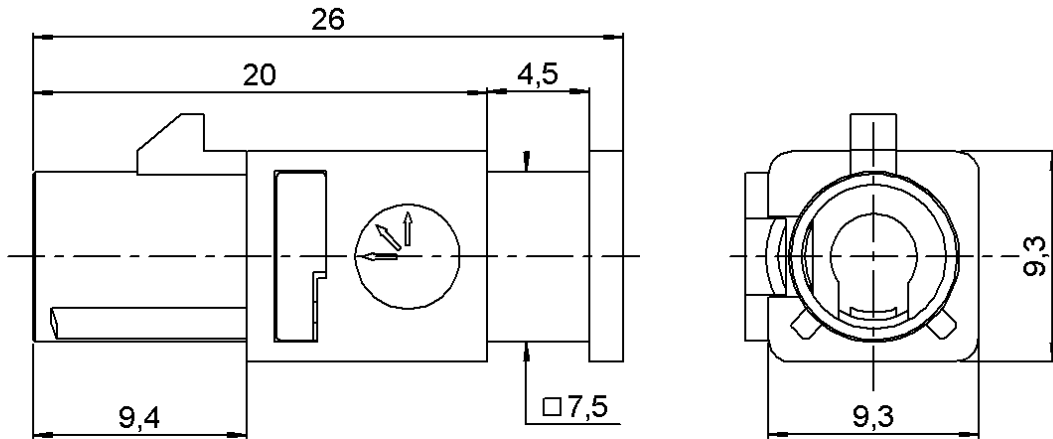


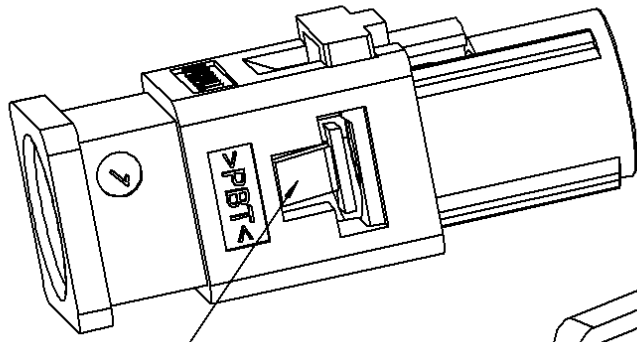
HOUSING FOR STRAIGHT JACK

R197.132.K90

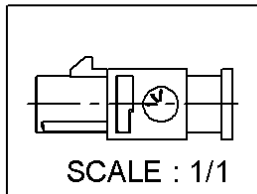
Series : **SMB CARLOCK**



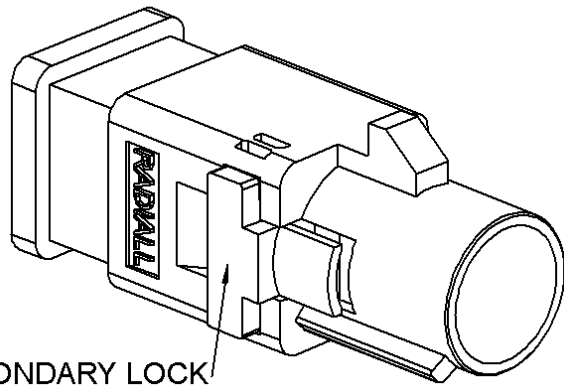
CODING K



HOUSING



SCALE : 1/1



SECONDARY LOCK



All dimensions are in mm.

| COMPONENTS | | MATERIALS | PLATINGS (µm) | |
|---------------------------|------------|-----------|------------------------|----------------------------------|
| HOUSING SECONDARY LOCK | PBT PBT | | UL CLASSIFICATION | COLOR |
| | | | UL 94 V-2 UL 94 V-2 | CURRY Ral 1027 PURPLE Ral4006 |

*According to FAKRA specifications

Issue : 0334 A

In the effort to improve our products, we reserve the right to make changes judged to be necessary.



HOUSING FOR STRAIGHT JACK

R197.132.K90

Series : **SMB CARLOCK**

PACKAGING

SPECIFICATION

| Standard | Unit | Other |
|------------|-------------------|-------------------|
| 100 | 'W' option | Contact us |

QS9000

ELECTRICAL CHARACTERISTICS

ENVIRONMENTAL

| | | |
|---------------------------------|----------------|--------------------------|
| Impedance | | Ω |
| Frequency | | GHz |
| VSWR | + 0.000 | x F(GHz) Maxi |
| Insertion loss | | \sqrt{F} (GHz) dB Maxi |
| RF leakage | - (| - F(GHz)) dB Maxi |
| Voltage rating | | Veff Maxi |
| Dielectric withstanding voltage | | Veff mini |
| Insulation resistance | | M Ω mini |

| | | |
|-----------------------|-----------------|--------------|
| Operating temperature | -40/+110 | $^{\circ}$ C |
| Hermetic seal | | Atm.cm3/s |
| Panel leakage | | |

OTHERS CHARACTERISTICS

Assembly instruction **Page 3 & 4**

Others :

HOUSING FOR COAX
R114.242.325,R114.246.325,R114.249.325

MECHANICAL CHARACTERISTICS

| | | |
|----------------------------|--------------|-------------|
| Center contact retention | | |
| Axial force – Mating end | | N mini |
| Axial force – Opposite end | | N mini |
| Torque | | N.cm mini |
| Recommended torque | | |
| Mating | | N.cm |
| Panel nut | | N.cm |
| Mating life | 100 | Cycles mini |
| Weight | 1.241 | g |

Issue : 0334 A

In the effort to improve our products, we reserve the right to make changes judged to be necessary.



HOUSING FOR STRAIGHT JACK

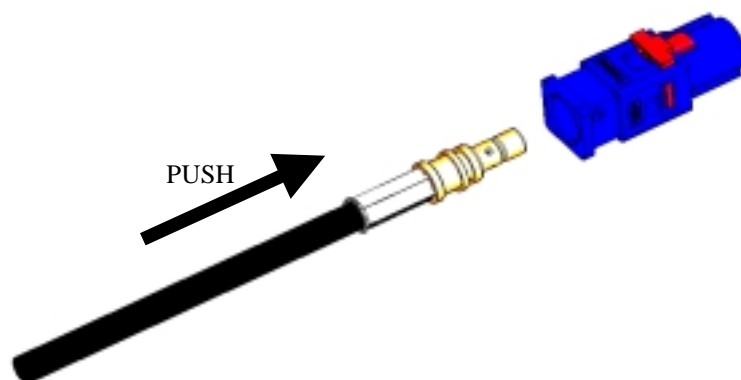
R197.132.K90

Series : SMB CARLOCK

RECOMMENDED MOUNTING PROCEDURE

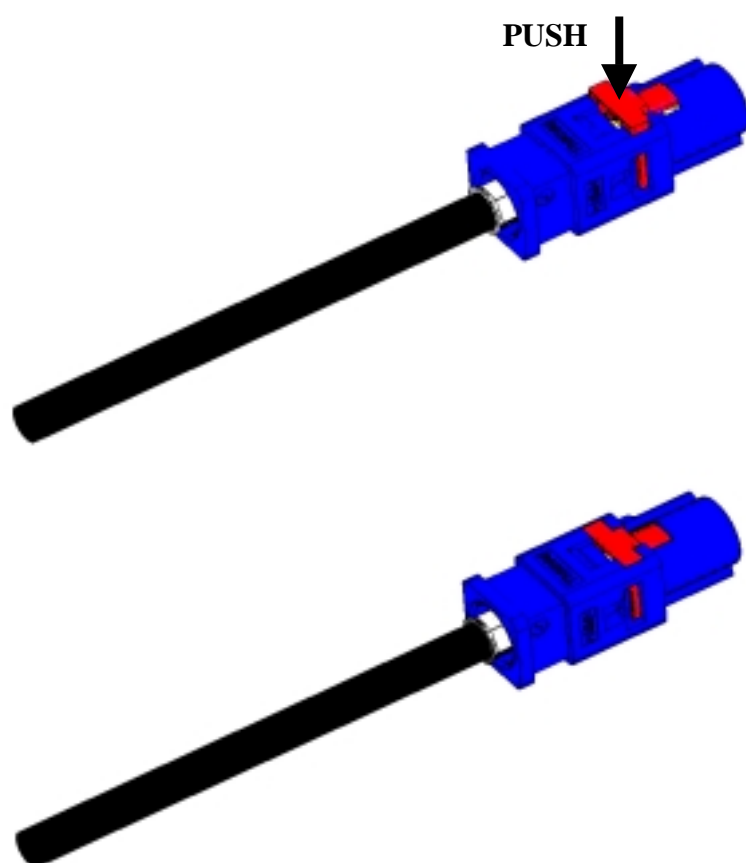
1

- Push the coax until it stops at the bottom of the housing



2

- Push the secondary lock in final position to secure the coax inside the housing (until it click on)



Issue : 0334 A

In the effort to improve our products, we reserve the right to make changes judged to be necessary.



HOUSING FOR STRAIGHT JACK

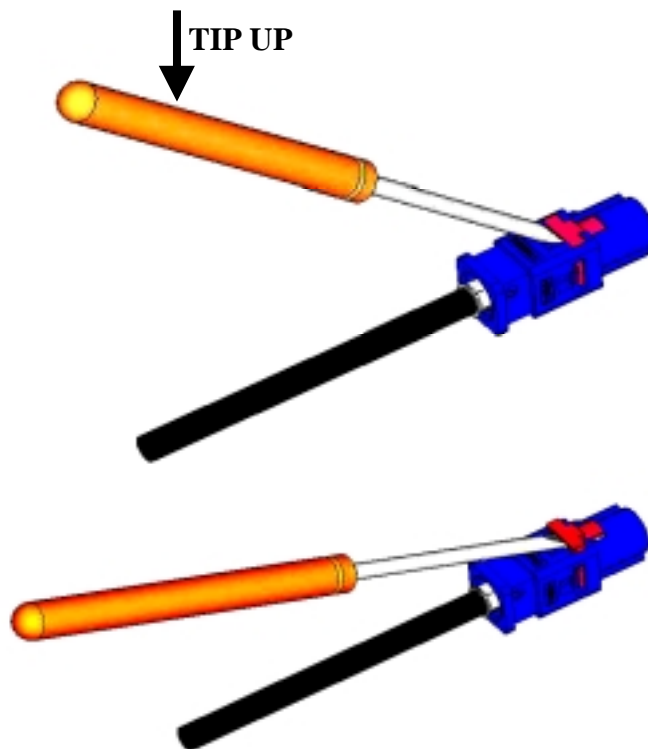
R197.132.K90

Series : SMB CARLOCK

RECOMMENDED DISASSEMBLING PROCEDURE

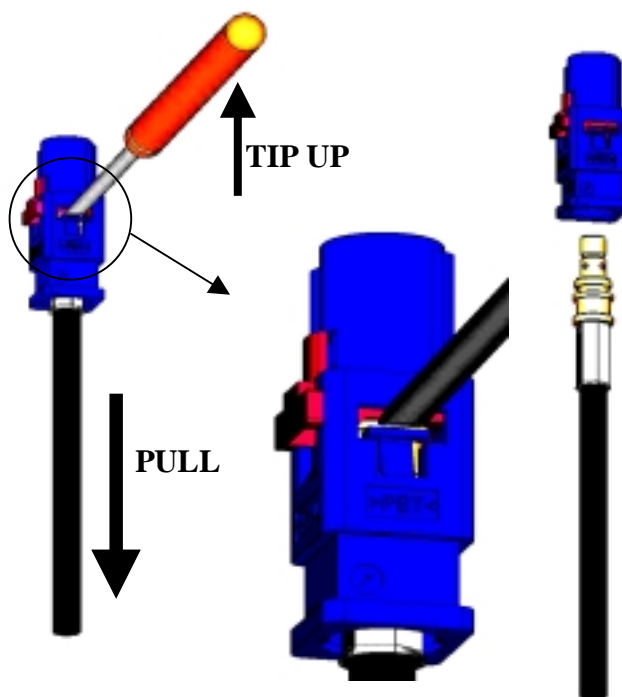
1

- insert a screw driver into the slot of the CPA devise as shown on the picture.
- Tip up the screw driver as shown on the picture to lift up the CPA devise until it click on.



2

- insert a screw driver between the elastic finger and the CPA devise as shown on the picture.
- Tip up the screw driver as shown on the picture to lift up the elastic finger and when it is done pull on the cable assembly to remove the coax from the housing.



Issue : 0334 A

In the effort to improve our products, we reserve the right to make changes judged to be necessary.

